



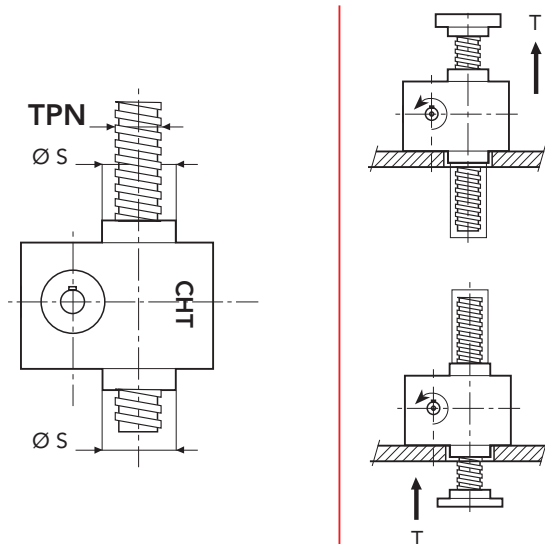
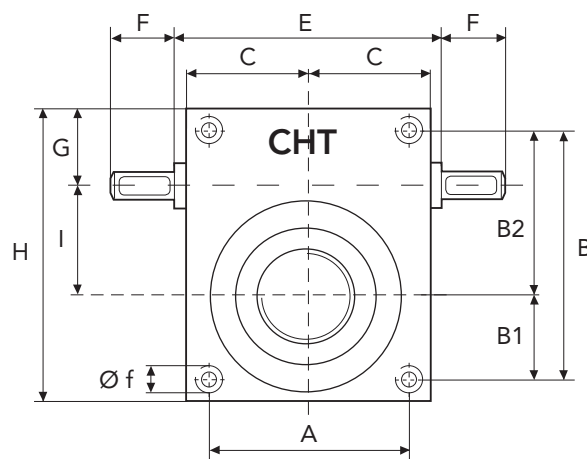
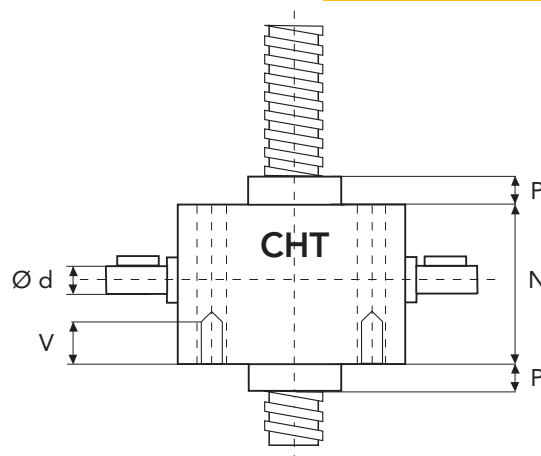
# SERIES CHS 10 TS

# TRANSLATING SCREW

## HEAVY LINE

SERIES CHS 10 TS - 40000 daN · TPN 100x12

SCREW JACK MODEL		CHS 10
LOAD	daN (Kg)	40000
TPN SCREW	DIAMETER mm PITCH mm	100 12
GEAR RATIOS	NORMAL SPEED SLOW SPEED	10:1 30:1
STROKE FOR INPUT REV.	NORMAL SPEED SLOW SPEED	1,2 0,4
EFFICIENCY	NORMAL SPEED SLOW SPEED	18,0% 12,5%
JACK WEIGHT (Kg)		180
SCREW WEIGHT TPN X 100 mm (Kg)		5,6
CASE MATERIAL		Fe 510
GREASE QTY (Kg)		4
GREASE TYPE	AGIP GR MU EP2	
OPERATING TEMPERATURE	-5° C +80° C	



	A	B	B1	B2	C	E	F	G	H
CHS10	230	355	135	220	160	-	85	105	405
	I	N	P	P1	V	Ø d	Ø f	Ø s	TPN
CHS10	140	270	50	40	45	55	M30	210	100x12

